

# JS 2-170 K20

Qmax 50 m<sup>3</sup>/h - 833 l/min (220 USgpm) - Hmax 58 m (190 ft)

Code 10051191



Indicative picture of the product

## Self-priming centrifugal bare shaft pump

### Characteristics

The J series self-priming centrifugal pumps are used in applications where a rapid priming capacity is required from demanding suction heights combined with the ability to transfer and manage polluted fluids, dirty and abrasives with suspended large diameter solids. The system is based on an inspectable pump casing which also acts as a water tank allowing a first quick priming without auxiliary systems, simplifying management of the system and reducing the time for maintenance. Within the physically permitted suction height limits, J pumps are a more comfortable and reliable solution than submersible pumps and vertical submersed impeller pumps.

### Applications

#### Industry:

clean, dirty, sandy, muddy, neutral, alkaline, acidic liquids; low viscous petroleum products, solvents even if dirty; milk of lime, caustic soda; washing, cooling, recirculation, smoke scrubbing.

#### Treatment:

pumping polluted corrosive wastewater containing sand, mud or solids in suspension; dosing neutralizing liquids; pumping out settled sludge.

#### Naval:

loading and unloading; bilge pumping; washing, fire-fighting, stripping, sanitary duty and circulation.

#### Agriculture:

surface irrigation; liquid manure oxygenation; transfer and spraying liquid manure or fertilizers; distribution of liquid animal feed; transfer of wine must; washing.

### Product Data

Suction port

**Threaded - 2" ISO 228 (BSP)**

Delivery port

**Threaded - 2" ISO 228 (BSP)**

Qmax

**50 m<sup>3</sup>/h - 833 l/min (220 USgpm)**

Hmax

**58 m (190 ft)**

Solids handling

**13 mm (0.5 ")**

Weight

**60 kg (132 lb)**

EX version



Pump with dedicated code, including thermowell predisposition for temperature sensor and glass oiler for mechanical seal quench fluid, according to **ATEX 2014/34/EU**.

### Benefits

#### 1) Rapid self-priming

Without foot valve up to a height of 7.5 m (24.5 ft)

#### 2) High resistance

To abrasive liquids which are turbid and sandy

#### 3) Semi-open impeller

High thickness casting impact resistant

#### 4) Wear plate/plates

Easily replaceable stainless steel wear plate/plates

#### 5) Easy inspection and cleaning

Removable front covers for access to the impeller

Varisco S.r.l. has certified its Quality, Environment and Safety Management System in accordance with the requirements of the international standard ISO 9001-14001-45001, recognized by the Lloyd Register.

Specification is subject to change without prior notice. Please check with your Varisco representative for the latest specifications.

Document release date: September 9<sup>th</sup> 2024

# JS 2-170 K20

## PERFORMANCE CURVES

Test according to **UNI EN ISO 9906 standard - level 2B**

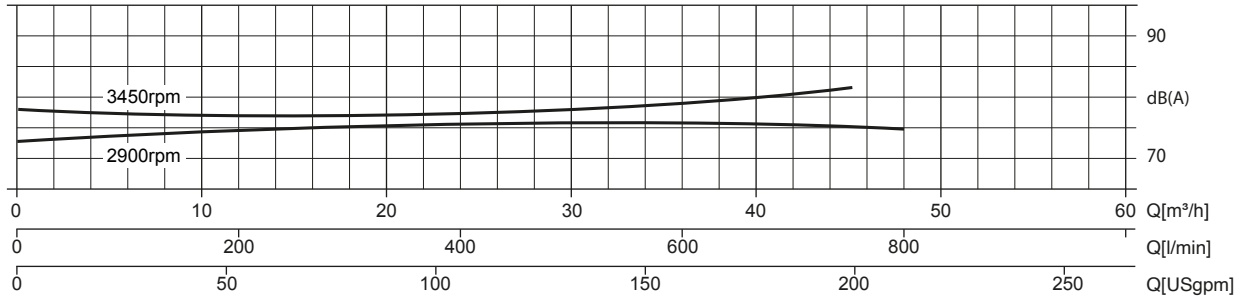
Max. applicable motor power: **11 kW - 15 HP**

Test liquid: **clean water, density 1.000 kg/m<sup>3</sup>**

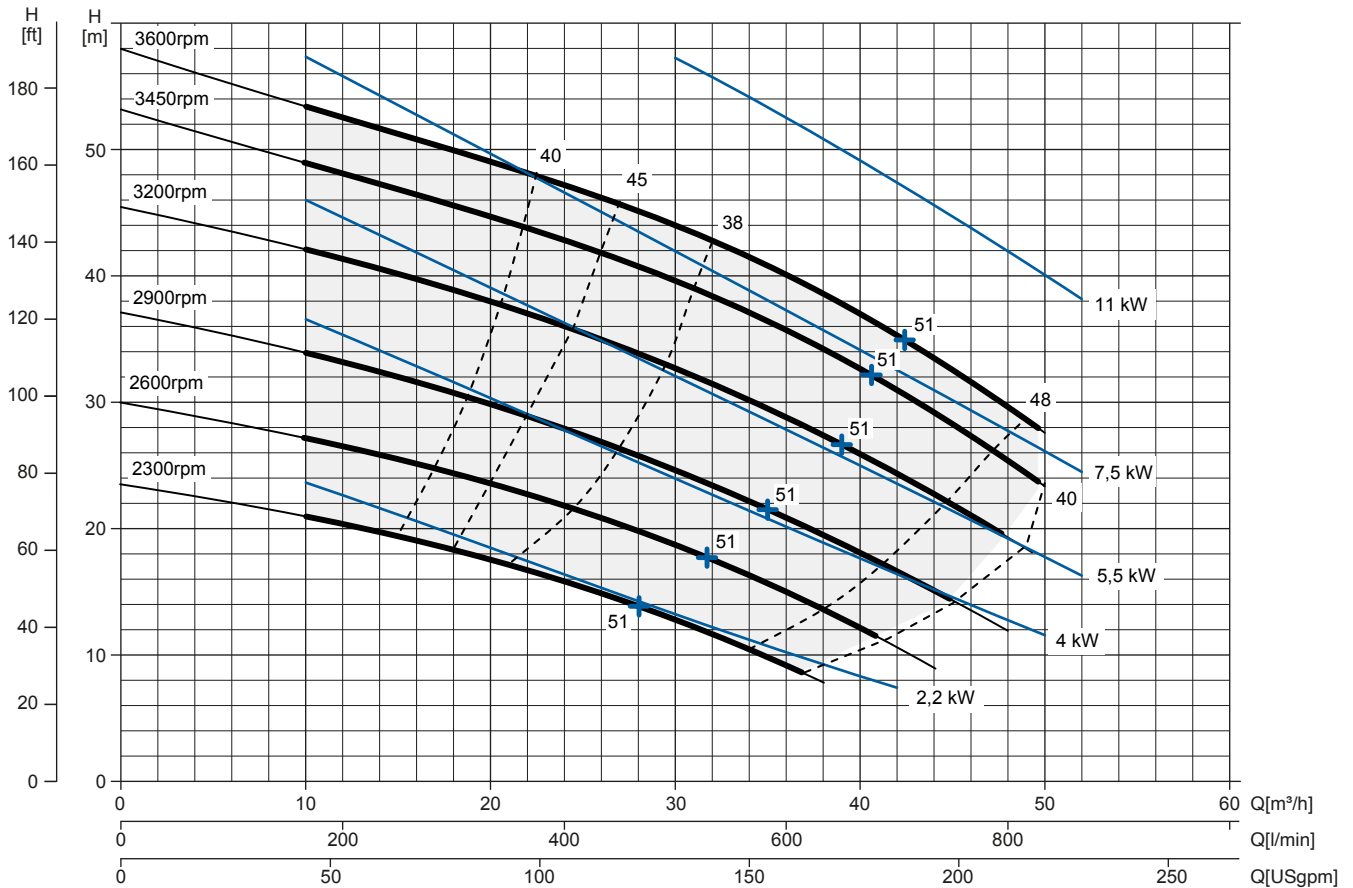
Spherical solids handling: **D.13 mm (0.5 ")**

### Noise Curve

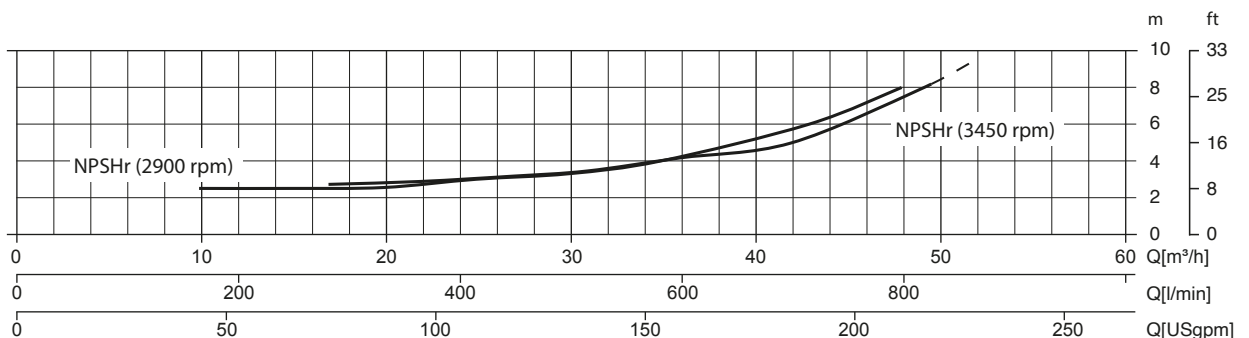
dB(A)=max noise level at 1 m



### Multiple Speed Curve



### NPSHr Curve



# JS 2-170 K20

## TECHNICAL DATA

### Pump

Pump model	JS 2-170 K20
Qmax [3.600 rpm]	50 m <sup>3</sup> /h - 833 l/min (220 USgpm)
Hmax [3.600 rpm]	58 m (190 ft)
Suction port	Threaded - 2" ISO 228 (BSP)
Delivery port	Threaded - 2" ISO 228 (BSP)
Impeller type	Semiaperta, 3 pale
Solids handling	13 mm (0.5 ")
Casing	ASTM A351 CF3M stainless steel
Impeller	ASTM A351 CF3M stainless steel
Wear plate	ASTM A351 CF3M stainless steel
Non-return valve	check-valve, PTFE
Shaft	SAF 2205 stainless steel
Mechanical seal	Silicon carbide / Silicon carbide
Elastomers	PTFE
Lubrication	Grease
Bearing bracket	EN 1561 EN-GJL-200 cast iron, with grease lubricated ball bearings for life

### Arrangement

Model	Bare shaft
Dimensions (L x W x H)*	294 x 545 x 388 mm (11.6 x 21.5 x 15.3")
Coating	Polyurethane enamel, average thickness of 100 µm
Color	RAL 5010 blue (standard)
Height connection	0,3 m (0,95 ft)

\*without flanged ports

### Optionals

Flanged ports DN50 PN16 EN1092-1 Type B	Complete pump set code available on request
Flanged ports 2" ANSI B16.1 Class 125 R.F.	Complete pump set code available on request
Automatic mechanical seal greaser	Code: 10008316
Thermocouple temperature sensor for ATEX pump	TC - Range temperature from 0 up to 300°C
Temperature sensors for ATEX pump	PT100 - Range temperature from 0 up to 300°C

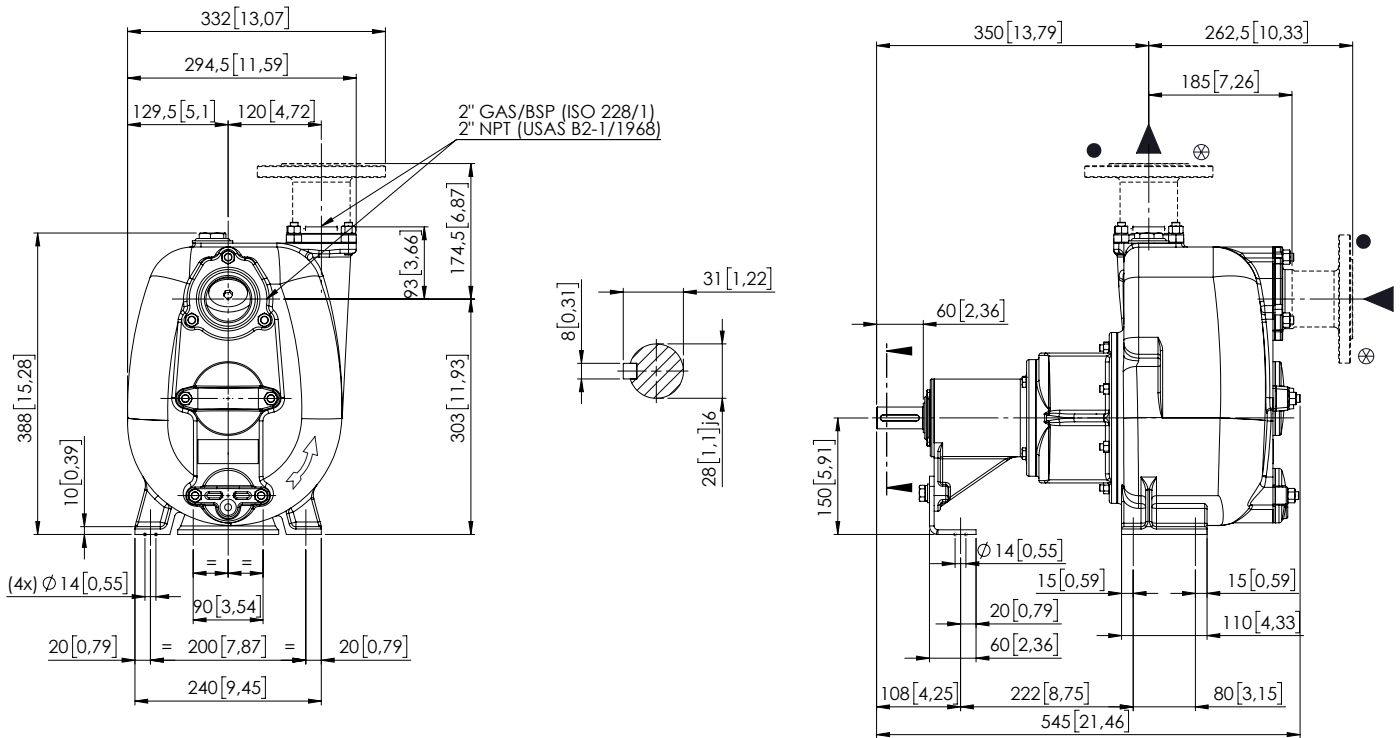
### Weight

Net weight	60 kg (132 lb)
Gross weight (pump + packing)	64 kg (141 lb)

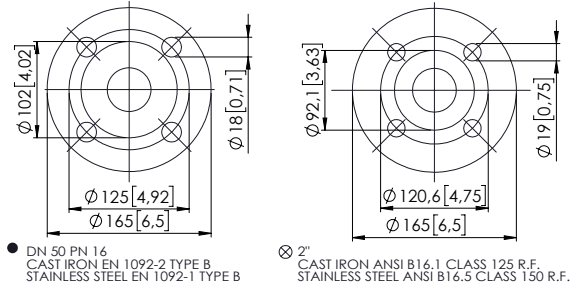
# JS 2-170 K20

## DIMENSIONS

mm [in]



FLANGIATURA SU RICHIESTA / FLANGES ON REQUEST



## PACKAGING DIMENSIONS

### Dimensions

JS 2-170 K20 (L x W x H)

840 x 680 x 650 mm

Gross weight (pump + packing)

64 kg (141 lb)

